



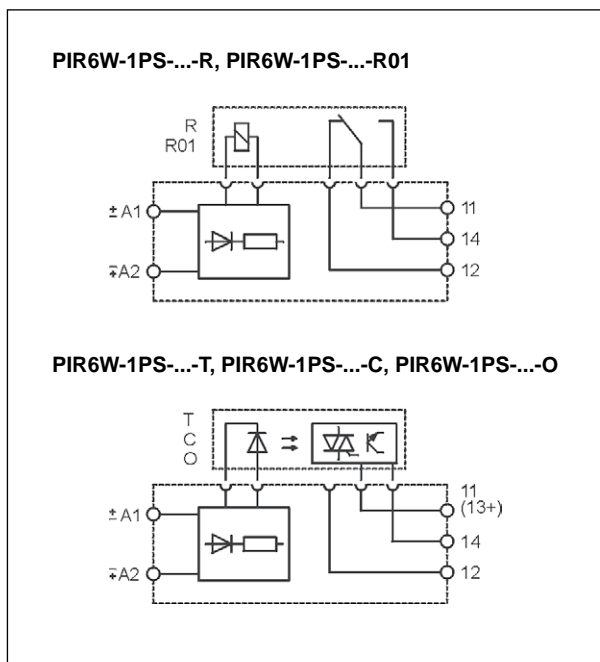
# PIR6W-1PS-...

## interface relays

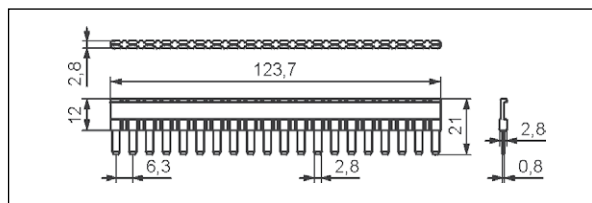
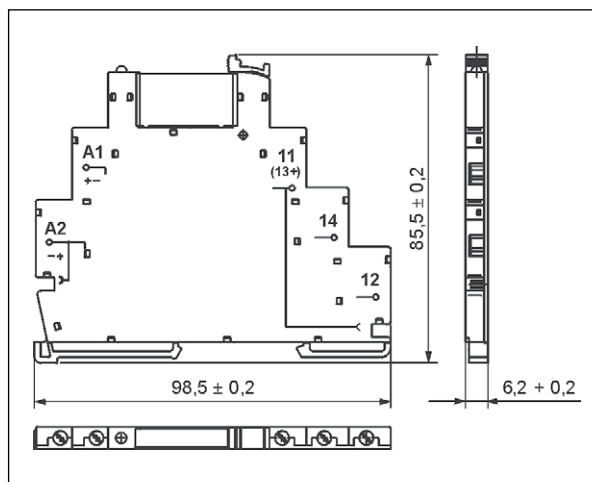
### General data

|   |   |
|---|---|
| Operating time (typical value)            | PIR6W-1PS-...-R/-R01: DC: 8 ms AC/DC: 20 ms<br>PIR6W-1PS-...-T: DC: 100 $\mu$ s AC/DC: 10 ms<br>PIR6W-1PS-...-C/-O: DC: 50 $\mu$ s AC/DC: 10 ms   |
| Release time (typical value)              | PIR6W-1PS-...-R/-R01: DC: 10 ms AC/DC: 25 ms<br>PIR6W-1PS-...-T: DC: 1/2 cycle + 1 ms AC/DC: 30 ms<br>PIR6W-1PS-...-C/-O: DC: 600 $\mu$ s AC/DC: 20 ms  |
| Electrical life • resistive AC1           | PIR6W-1PS-...-R: > 0,5 x 10 <sup>5</sup> 6 A, 250 V AC  |
| Mechanical life (cycles)                  | PIR6W-1PS-...-R/-R01: > 10 <sup>7</sup>   |
| Dimensions (L x W x H)                    | 98,5 x 6,2 x 85,5 mm  |
| Weight                                    | 45 g  |
| Ambient temperature • storage • operating | PIR6W-1PS-...-R/-R01/-T: -40...+70 °C ...-C/-O: -25...+70 °C<br>PIR6W-1PS-...-R/-R01: -40...+55 °C ...-T/-C/-O: -20...+55 °C<br>PIR6W-1PS-230VAC/DC-R/-R01: -40...+50 °C ...-C/-O: -20...+50 °C |
| Protection category                       | IP 20 PN-EN 60529   |
| Environmental protection                  | RT1 PN-EN 116000-3  |
| Shock resistance                          | 10 g  |
| Vibration resistance                      | 5 g 10...500 Hz   |

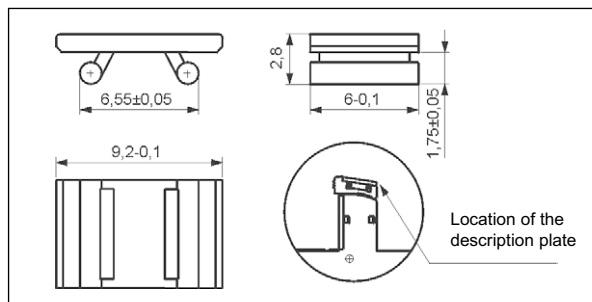
### Connection diagrams



### Dimensions



Interconnection strip type **ZG20**



Description plate **PI6W-1246**

# PIR6W-1PS-... interface relays

## Ordering codes

Ordering codes **PIR6W-1PS-...** are specified in Table 1, „Interface relay code” column.

## Mounting

Relays **PIR6W-1PS-...** are designed for direct mounting on 35 mm rail mount acc. to PN-EN 60715. **Connections:** max. cross section of the cables: 1 x 2,5 mm<sup>2</sup> / 2 x 1,5 mm<sup>2</sup> (1 x 14 / 2 x 16 AWG), length of the cable deinsulation: 9 mm, max. tightening moment for the terminal: 0,3 Nm.

Interface relay **PIR6W-1PS-...** consists of: screw terminals universal socket, with electronic **PI6W-1PS-...**, miniature operational relay - electromagnetic **RM699BV** or solid state **RSR30** Ⓢ.

**PIR6W-1PS-...** may be linked with interconnection strip type **ZG20**. Strip **ZG20** bridges common input or output signals, maximum permissible current is 36 A / 250 V AC. Colours of strips: **ZG20-1** red, **ZG20-2** black, **ZG20-3** blue. Description plates of **PI6W-1246** type are offered for **PIR6W-1PS-...** relays; they are delivered with the relays, not mounted.



PI6W-1PS-...



RM699BV



RSR30



ZG20



PI6W-1246



**Green LED:**  
signalling the operation  
status of the relay.



**Interconnection strip ZG20:**  
bridging of common  
input or output signals.



**Movable ejector:** protection  
and easy replacement  
of the operational relay.

## PIR6W-1PS-...

Interface relay:  
socket PI6W-1PS-...  
and relay RM699BV



## PRECAUTIONS:

1. Ensure that the parameters of the product described in its specification provide a safety margin for the appropriate operation of the device or system and never use the product in circumstances which exceed the parameters of the product. 2. Never touch any live parts of the device. 3. Ensure that the product has been connected correctly. An incorrect connection may cause malfunction, excessive heating or risk of fire. 4. In case of any risk of any serious material loss or death or injuries of humans or animals, the devices or systems shall be designed so to equip them with double safety system to guarantee their reliable operation.

# PIR6W-1PS-...

## interface relays

Table of codes

Table 1

| Interface relay code             | Rated input voltage<br>U <sub>n</sub> ④ | Power of input circuit | Socket code               | Operational relay code       | Rated voltage of operational relay<br>U <sub>s</sub> ④ |
|----------------------------------|---|------------------------|---------------------------|------------------------------|--|
| PIR6W-1PS-6VDC-R                 | 6 V DC                                  | 0,3 W                  | PI6W-1PS-6VDC             | RM699BV-3011-85-1005         | 5 V DC   |
| PIR6W-1PS-12VDC-R                | 12 V DC                                 | 0,2 W                  | PI6W-1PS-12/24VDC         | RM699BV-3011-85-1012         | 12 V DC  |
| <b>PIR6W-1PS-24VDC-R</b>         | <b>24 V DC</b>                          | <b>0,3 W</b>           | <b>PI6W-1PS-12/24VDC</b>  | <b>RM699BV-3011-85-1024</b>  | <b>24 V DC</b>   |
| PIR6W-1PS-36VDC-R                | 36 V DC                                 | 0,3 W                  | PI6W-1PS-36VDC            | RM699BV-3011-85-1024         | 24 V DC  |
| PIR6W-1PS-48VDC-R                | 48 V DC                                 | 0,4 W                  | PI6W-1PS-48VDC            | RM699BV-3011-85-1024         | 24 V DC  |
| PIR6W-1PS-60VDC-R                | 60 V DC                                 | 0,5 W                  | PI6W-1PS-60VDC            | RM699BV-3011-85-1024         | 24 V DC  |
| <b>PIR6W-1PS-24VAC/DC-R</b>      | <b>24 V AC/DC</b>                       | <b>0,5 VA / 0,4 W</b>  | <b>PI6W-1PS-24VAC/DC</b>  | <b>RM699BV-3011-85-1012</b>  | <b>12 V DC</b>   |
| PIR6W-1PS-42VAC/DC-R             | 42 V AC/DC                              | 0,5 VA / 0,4 W         | PI6W-1PS-42VAC/DC         | RM699BV-3011-85-1024         | 24 V DC  |
| PIR6W-1PS-115VAC/DC-R            | 115 V AC/DC                             | 1,2 VA / 1,2 W         | PI6W-1PS-115VAC/DC        | RM699BV-3011-85-1024         | 24 V DC  |
| <b>PIR6W-1PS-230VAC/DC-R</b>     | <b>230 V AC/DC</b>                      | <b>1,2 VA / 1,2 W</b>  | <b>PI6W-1PS-230VAC/DC</b> | <b>RM699BV-3011-85-1048</b>  | <b>48 V DC</b>   |
| PIR6W-1PS-6VDC-R01 ②             | 6 V DC                                  | 0,3 W                  | PI6W-1PS-6VDC             | RM699BV-3211-85-1005         | 5 V DC   |
| PIR6W-1PS-12VDC-R01 ②            | 12 V DC                                 | 0,2 W                  | PI6W-1PS-12/24VDC         | RM699BV-3211-85-1012         | 12 V DC  |
| <b>PIR6W-1PS-24VDC-R01 ②</b>     | <b>24 V DC</b>                          | <b>0,3 W</b>           | <b>PI6W-1PS-12/24VDC</b>  | <b>RM699BV-3211-85-1024</b>  | <b>24 V DC</b>   |
| PIR6W-1PS-36VDC-R01 ②            | 36 V DC                                 | 0,3 W                  | PI6W-1PS-36VDC            | RM699BV-3211-85-1024         | 24 V DC  |
| PIR6W-1PS-48VDC-R01 ②            | 48 V DC                                 | 0,4 W                  | PI6W-1PS-48VDC            | RM699BV-3211-85-1024         | 24 V DC  |
| PIR6W-1PS-60VDC-R01 ②            | 60 V DC                                 | 0,5 W                  | PI6W-1PS-60VDC            | RM699BV-3211-85-1024         | 24 V DC  |
| <b>PIR6W-1PS-24VAC/DC-R01 ②</b>  | <b>24 V AC/DC</b>                       | <b>0,5 VA / 0,4 W</b>  | <b>PI6W-1PS-24VAC/DC</b>  | <b>RM699BV-3211-85-1012</b>  | <b>12 V DC</b>   |
| PIR6W-1PS-42VAC/DC-R01 ②         | 42 V AC/DC                              | 0,5 VA / 0,4 W         | PI6W-1PS-42VAC/DC         | RM699BV-3211-85-1024         | 24 V DC  |
| PIR6W-1PS-115VAC/DC-R01 ②        | 115 V AC/DC                             | 1,2 VA / 1,2 W         | PI6W-1PS-115VAC/DC        | RM699BV-3211-85-1024         | 24 V DC  |
| <b>PIR6W-1PS-230VAC/DC-R01 ②</b> | <b>230 V AC/DC</b>                      | <b>1,2 VA / 1,2 W</b>  | <b>PI6W-1PS-230VAC/DC</b> | <b>RM699BV-3211-85-1048</b>  | <b>48 V DC</b>   |
| PIR6W-1PS-6VDC-T                 | 6 V DC                                  | 0,2 W                  | PI6W-1PS-6VDC             | RSR30-D05-A1-24-020-1        | 5 V DC   |
| PIR6W-1PS-12VDC-T                | 12 V DC                                 | 0,2 W                  | PI6W-1PS-12/24VDC         | RSR30-D12-A1-24-020-1        | 12 V DC  |
| <b>PIR6W-1PS-24VDC-T</b>         | <b>24 V DC</b>                          | <b>0,3 W</b>           | <b>PI6W-1PS-12/24VDC</b>  | <b>RSR30-D24-A1-24-020-1</b> | <b>24 V DC</b>   |
| PIR6W-1PS-36VDC-T                | 36 V DC                                 | 0,3 W                  | PI6W-1PS-36VDC            | RSR30-D24-A1-24-020-1        | 24 V DC  |
| PIR6W-1PS-48VDC-T                | 48 V DC                                 | 0,4 W                  | PI6W-1PS-48VDC            | RSR30-D24-A1-24-020-1        | 24 V DC  |
| PIR6W-1PS-60VDC-T                | 60 V DC                                 | 0,5 W                  | PI6W-1PS-60VDC            | RSR30-D24-A1-24-020-1        | 24 V DC  |
| <b>PIR6W-1PS-24VAC/DC-T</b>      | <b>24 V AC/DC</b>                       | <b>0,5 VA / 0,4 W</b>  | <b>PI6W-1PS-24VAC/DC</b>  | <b>RSR30-D12-A1-24-020-1</b> | <b>12 V DC</b>   |
| PIR6W-1PS-42VAC/DC-T             | 42 V AC/DC                              | 0,5 VA / 0,4 W         | PI6W-1PS-42VAC/DC         | RSR30-D24-A1-24-020-1        | 24 V DC  |
| PIR6W-1PS-115VAC/DC-T            | 115 V AC/DC                             | 1,0 VA / 1,0 W         | PI6W-1PS-115VAC/DC        | RSR30-D24-A1-24-020-1        | 24 V DC  |
| PIR6W-1PS-6VDC-C                 | 6 V DC                                  | 0,2 W                  | PI6W-1PS-6VDC             | RSR30-D05-D1-04-025-1        | 5 V DC   |
| PIR6W-1PS-12VDC-C                | 12 V DC                                 | 0,2 W                  | PI6W-1PS-12/24VDC         | RSR30-D12-D1-04-025-1        | 12 V DC  |
| <b>PIR6W-1PS-24VDC-C</b>         | <b>24 V DC</b>                          | <b>0,3 W</b>           | <b>PI6W-1PS-12/24VDC</b>  | <b>RSR30-D24-D1-04-025-1</b> | <b>24 V DC</b>   |
| PIR6W-1PS-36VDC-C                | 36 V DC                                 | 0,3 W                  | PI6W-1PS-36VDC            | RSR30-D24-D1-04-025-1        | 24 V DC  |
| PIR6W-1PS-48VDC-C                | 48 V DC                                 | 0,4 W                  | PI6W-1PS-48VDC            | RSR30-D24-D1-04-025-1        | 24 V DC  |
| PIR6W-1PS-60VDC-C                | 60 V DC                                 | 0,5 W                  | PI6W-1PS-60VDC            | RSR30-D24-D1-04-025-1        | 24 V DC  |
| <b>PIR6W-1PS-24VAC/DC-C</b>      | <b>24 V AC/DC</b>                       | <b>0,5 VA / 0,4 W</b>  | <b>PI6W-1PS-24VAC/DC</b>  | <b>RSR30-D12-D1-04-025-1</b> | <b>12 V DC</b>   |
| PIR6W-1PS-42VAC/DC-C             | 42 V AC/DC                              | 0,5 VA / 0,4 W         | PI6W-1PS-42VAC/DC         | RSR30-D24-D1-04-025-1        | 24 V DC  |
| PIR6W-1PS-115VAC/DC-C            | 115 V AC/DC                             | 1,0 VA / 1,0 W         | PI6W-1PS-115VAC/DC        | RSR30-D24-D1-04-025-1        | 24 V DC  |
| <b>PIR6W-1PS-230VAC/DC-C</b>     | <b>230 V AC/DC</b>                      | <b>1,0 VA / 1,0 W</b>  | <b>PI6W-1PS-230VAC/DC</b> | <b>RSR30-D48-D1-04-025-1</b> | <b>48 V DC</b>   |
| PIR6W-1PS-6VDC-O                 | 6 V DC                                  | 0,2 W                  | PI6W-1PS-6VDC             | RSR30-D05-D1-02-040-1        | 5 V DC   |
| PIR6W-1PS-12VDC-O                | 12 V DC                                 | 0,2 W                  | PI6W-1PS-12/24VDC         | RSR30-D12-D1-02-040-1        | 12 V DC  |
| <b>PIR6W-1PS-24VDC-O</b>         | <b>24 V DC</b>                          | <b>0,3 W</b>           | <b>PI6W-1PS-12/24VDC</b>  | <b>RSR30-D24-D1-02-040-1</b> | <b>24 V DC</b>   |
| PIR6W-1PS-36VDC-O                | 36 V DC                                 | 0,3 W                  | PI6W-1PS-36VDC            | RSR30-D24-D1-02-040-1        | 24 V DC  |
| PIR6W-1PS-48VDC-O                | 48 V DC                                 | 0,4 W                  | PI6W-1PS-48VDC            | RSR30-D24-D1-02-040-1        | 24 V DC  |
| PIR6W-1PS-60VDC-O                | 60 V DC                                 | 0,5 W                  | PI6W-1PS-60VDC            | RSR30-D24-D1-02-040-1        | 24 V DC  |
| <b>PIR6W-1PS-24VAC/DC-O</b>      | <b>24 V AC/DC</b>                       | <b>0,5 VA / 0,4 W</b>  | <b>PI6W-1PS-24VAC/DC</b>  | <b>RSR30-D12-D1-02-040-1</b> | <b>12 V DC</b>   |
| PIR6W-1PS-42VAC/DC-O             | 42 V AC/DC                              | 0,5 VA / 0,4 W         | PI6W-1PS-42VAC/DC         | RSR30-D24-D1-02-040-1        | 24 V DC  |
| PIR6W-1PS-115VAC/DC-O            | 115 V AC/DC                             | 1,0 VA / 1,0 W         | PI6W-1PS-115VAC/DC        | RSR30-D24-D1-02-040-1        | 24 V DC  |
| <b>PIR6W-1PS-230VAC/DC-O</b>     | <b>230 V AC/DC</b>                      | <b>1,0 VA / 1,0 W</b>  | <b>PI6W-1PS-230VAC/DC</b> | <b>RSR30-D48-D1-02-040-1</b> | <b>48 V DC</b>   |

The data in bold type pertain to the standard versions of the relays. ② Version with gold-plated contacts. ④ It shall be remarked that rated input voltage of the operational relay U<sub>s</sub> not always complies with the rated input voltage U<sub>n</sub> (which is important on ordering operational relays for sockets).

11.05.2013