







# R2

## miniature industrial relays



12 A / 250 V AC

• Relays of general application • For plug-in sockets: 35 mm rail mount acc. to PN-EN 60715; on panel mounting; PCB mounting • For PCB and soldering connections - option • Miniature dimensions • Cadmium - free contacts • AC and DC coils • WT (mechanical indicator + lockable front test button) - standard features of relays for plug-in sockets. Relays may be provided with the test buttons (no latching) and plugs - page 7 • Recognitions, certifications, directives: RoHS, AUCOTEAM GmbH Berlin - railroad standard,      

### Contact data

Number and type of contacts		2 CO
Contact material		<b>AgNi</b> , AgNi/Au 0,2 µm
Rated / max. switching voltage	AC	250 V / 440 V
Min. switching voltage		10 V
Rated load (capacity)	AC1	12 A / 250 V AC ① 10 A / 250 V AC ②
	AC15	3 A / 120 V 1,5 A / 240 V (B300)
	AC3	370 W (single-phase motor)
	DC1	12 A / 24 V DC (see Fig. 3) ① 10 A / 24 V DC ②
	DC13	0,22 A / 120 V 0,1 A / 250 V (R300)
Min. switching current		5 mA
Max. inrush current		24 A
Rated current		12 A ① 10 A ②
Max. breaking capacity	AC1	3 000 VA ① 2 500 VA ②
Min. breaking capacity		0,3 W
Contact resistance		≤ 100 mΩ
Max. operating frequency		1 200 cycles/hour
• at rated load	AC1	18 000 cycles/hour
• no load		

### Coil data

Rated voltage	50/60 Hz AC	6 ... 240 V
	DC	5 ... 220 V
Must release voltage		AC: ≥ 0,2 U <sub>n</sub> DC: ≥ 0,1 U <sub>n</sub>
Operating range of supply voltage		see Tables 1, 2
Rated power consumption	AC	1,6 VA
	DC	0,9 W

### Insulation according to PN-EN 60664-1

Insulation rated voltage		250 V AC
Rated surge voltage		4 000 V 1,2 / 50 µs
Overvoltage category		III
Insulation pollution degree		3
Dielectric strength		
• between coil and contacts		2 500 V AC type of insulation: basic
• contact clearance		1 500 V AC type of clearance: micro-disconnection
• pole - pole		2 500 V AC type of insulation: basic
Contact - coil distance		
• clearance		≥ 2,5 mm
• creepage		≥ 4 mm

### General data

Operating / release time (typical values)		AC: 10 ms / 8 ms DC: 13 ms / 3 ms
Electrical life		
• resistive AC1		> 10 <sup>5</sup> 12 A, 250 V AC
• cosφ		see Fig. 2
Mechanical life (cycles)		> 2 x 10 <sup>7</sup>
Dimensions (L x W x H)		27,5 x 21,2 x 35,6 mm ① 27,5 x 21,1 x 33,5 mm ② 27,5 x 21,2 x 33 mm ③
Weight		35 g
Ambient temperature	• storage	-40...+85 °C
	• operating	AC: -40...+55 °C DC: -40...+70 °C
Cover protection category		IP 40 PN-EN 60529
Environmental protection		RTI PN-EN 116000-3
Shock resistance	(NO/NC)	10 g / 5 g
Vibration resistance		5 g 10...150 Hz
Solder bath temperature		max. 270 °C
Soldering time		max. 5 s

The data in bold type pertain to the standard versions of the relays.

① For plug-in sockets version: standard (WT) ② For PCB version ③ For version with threaded bolt

Coil data - DC voltage version

Table 1

Coil code	Rated voltage V DC	Coil resistance at 20 °C Ω	Acceptable resistance	Coil operating range V DC	
				min. (at 20 °C)	max. (at 55 °C)
1005	5	28	± 10%	4,0	5,5
1006	6	40	± 10%	4,8	6,6
1012	12	160	± 10%	9,6	13,2
<b>1024</b>	<b>24</b>	<b>640</b>	<b>± 10%</b>	<b>19,2</b>	<b>26,4</b>
1048	48	2 600	± 10%	38,4	52,8
1060	60	4 000	± 10%	48,0	66,0
1080	80	7 100	± 10%	64,0	88,0
1110	110	13 600	± 10%	88,0	121,0
1125	125	16 000	± 10%	100,0	137,5
<b>1220</b>	<b>220</b>	<b>54 000</b>	<b>± 10%</b>	<b>176,0</b>	<b>242,0</b>

The data in bold type pertain to the standard versions of the relays.

Coil data - AC 50/60 Hz voltage version

Table 2

Coil code	Rated voltage V AC	Coil resistance at 20 °C Ω	Acceptable resistance	Coil operating range V AC	
				min. (at 20 °C)	max. (at 55 °C)
5006	6	9,8	± 10%	4,8	6,6
5012	12	39,5	± 10%	9,6	13,2
<b>5024</b>	<b>24</b>	<b>158</b>	<b>± 10%</b>	<b>19,2</b>	<b>26,4</b>
5042	42	470	± 10%	33,6	46,2
5048	48	640	± 10%	38,4	52,8
5060	60	930	± 10%	48,0	66,0
5080	80	1 720	± 10%	64,0	88,0
5110	110	3 450	± 10%	88,0	121,0
5115	115	3 610	± 10%	92,0	127,0
5120	120	3 770	± 10%	96,0	132,0
5127	127	4 000	± 10%	101,6	139,0
5220	220	15 400	± 10%	176,0	242,0
<b>5230</b>	<b>230</b>	<b>16 100</b>	<b>± 10%</b>	<b>184,0</b>	<b>253,0</b>
5240	240	16 800	± 10%	192,0	264,0

The data in bold type pertain to the standard versions of the relays.

**EUROPRODUCT 2002**  
for electromagnetic relays  
**R2...WT, R3...WT, R4...WT**  
with sockets **GZT2, GZT3, GZT4**

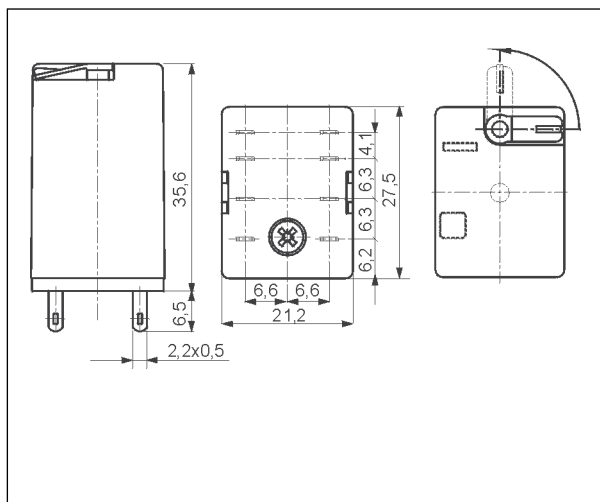
**ELECTROPRODUCT 2003**  
for electromagnetic relays  
**R2, R3, R4**



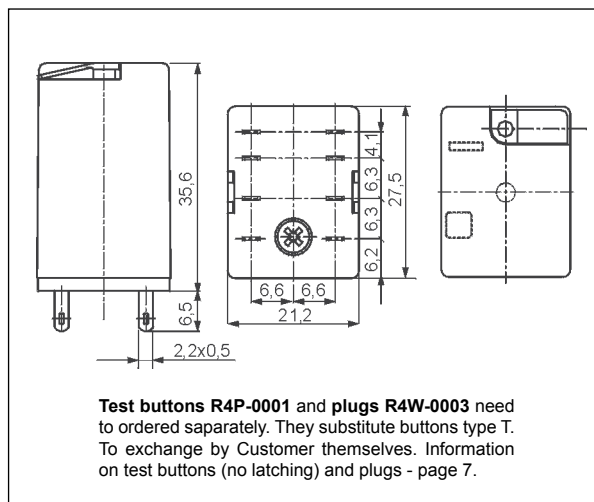
# R2

## miniature industrial relays

### Dimensions - plug-in version (WT), with lockable front test button type T

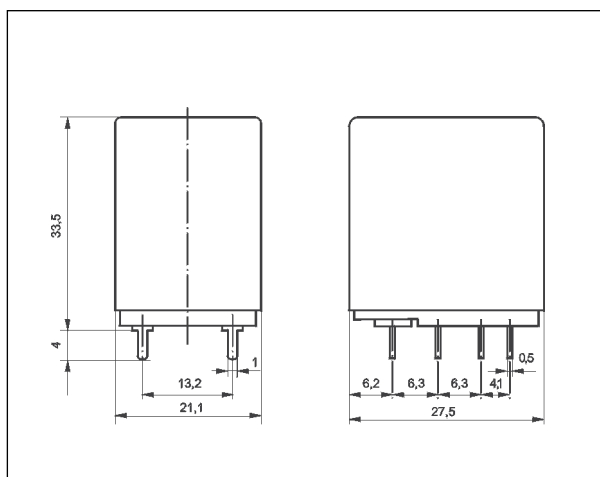


### Dimensions - plug-in version, with test button (no latching) or with plug (no manual operation)

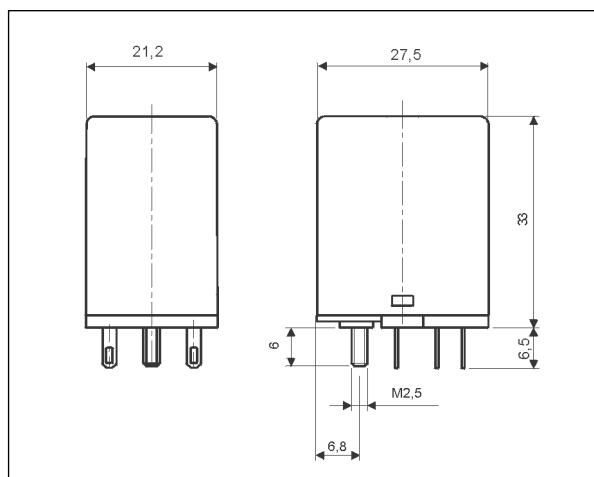


Test buttons R4P-0001 and plugs R4W-0003 need to be ordered separately. They substitute buttons type T. To be exchanged by the Customer themselves. Information on test buttons (no latching) and plugs - page 7.

### Dimensions - PCB version (without WT)



### Dimensions - version with threaded bolt



### Mounting

Relays R2 are offered in versions:

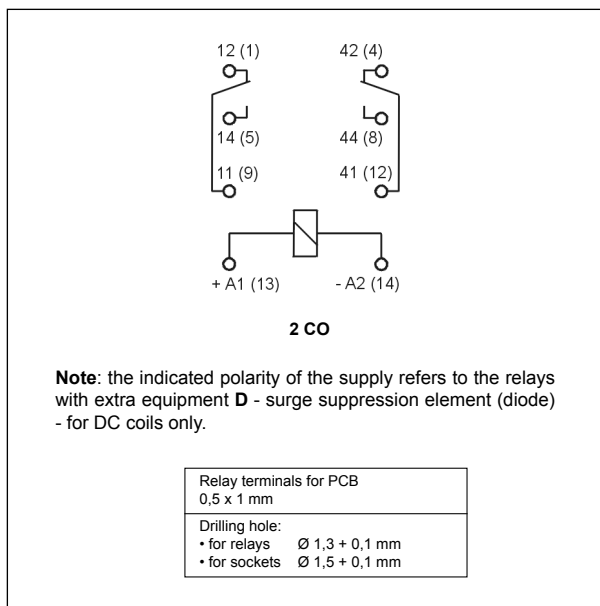
- For plug-in sockets, with WT features as standard (W - mechanical indicator + T - lockable front test button). In these relays is possibility self-exchange of button type T for test button R4P-0001 (no latching) or on plug R4W-0003 (no manual operation). The buttons R4P-0001 and the plugs R4W-0003 need to be ordered separately.
- For PCB (without WT features).
- With threaded bolt (for PCB and for plug-in sockets, without WT features).

### GZMB2

Spring terminals plug-in socket for R2, R2N - see page 8.

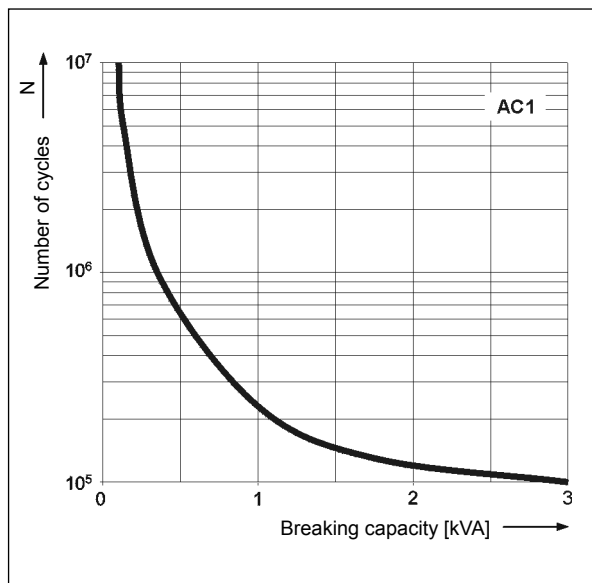


## Connection diagram (pin side view)



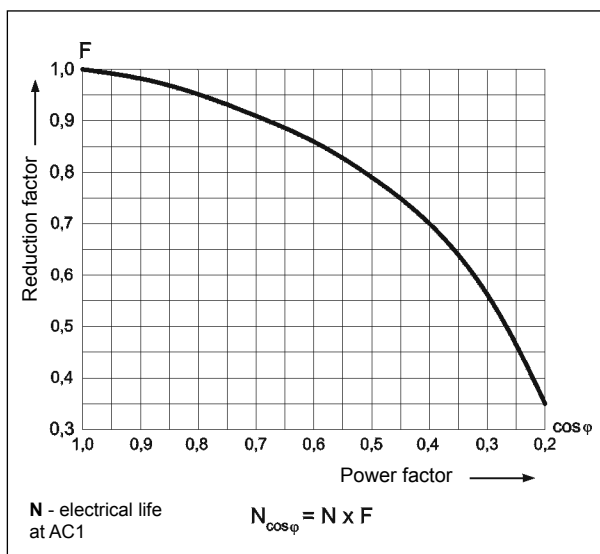
## Electrical life at AC resistive load. Switching frequency: 1 200 cycles/hour

Fig. 1



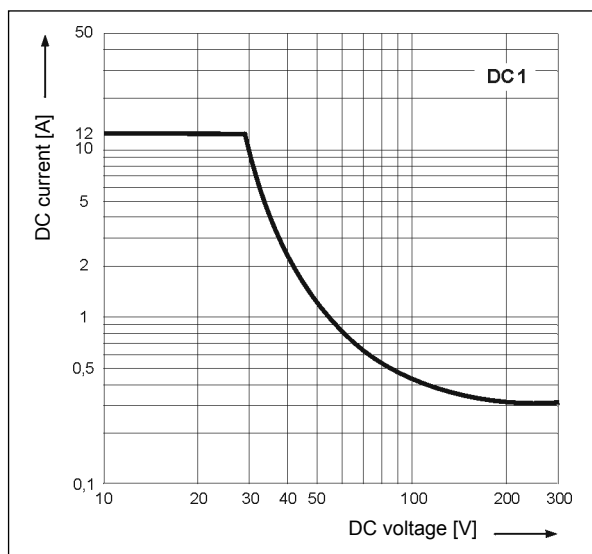
## Electrical life reduction factor at AC inductive load

Fig. 2



## Max. DC resistive load breaking capacity

Fig. 3



## Mounting

Relays **R2** are designed for: • screw terminals plug-in sockets **GZT2** and **GZM2** with clip **GZT4-0040** or **G4 1052**, 35 mm rail mount acc. to PN-EN 60715 or on panel mounting with two M3 screws • spring terminals plug-in sockets **GZMB2** with clip **GZMB4-0040** or **G4 1052**, 35 mm rail mount acc. to PN-EN 60715. Signalling / protecting modules type **M...** are available with sockets (see page 11) • plug-in sockets for PCB mounting **SU4/2D** with clip **G4 1053** (WT) or **G4 1050** (without WT) • solder terminals sockets **SU4/2L** with clip **G4 1053** (WT) or **G4 1050** (without WT) and spring clamp **G4 1040** • solder terminals sockets **G4/2** with clip **G4 1053** (WT) or **G4 1050** (without WT) • direct PCB mounting.

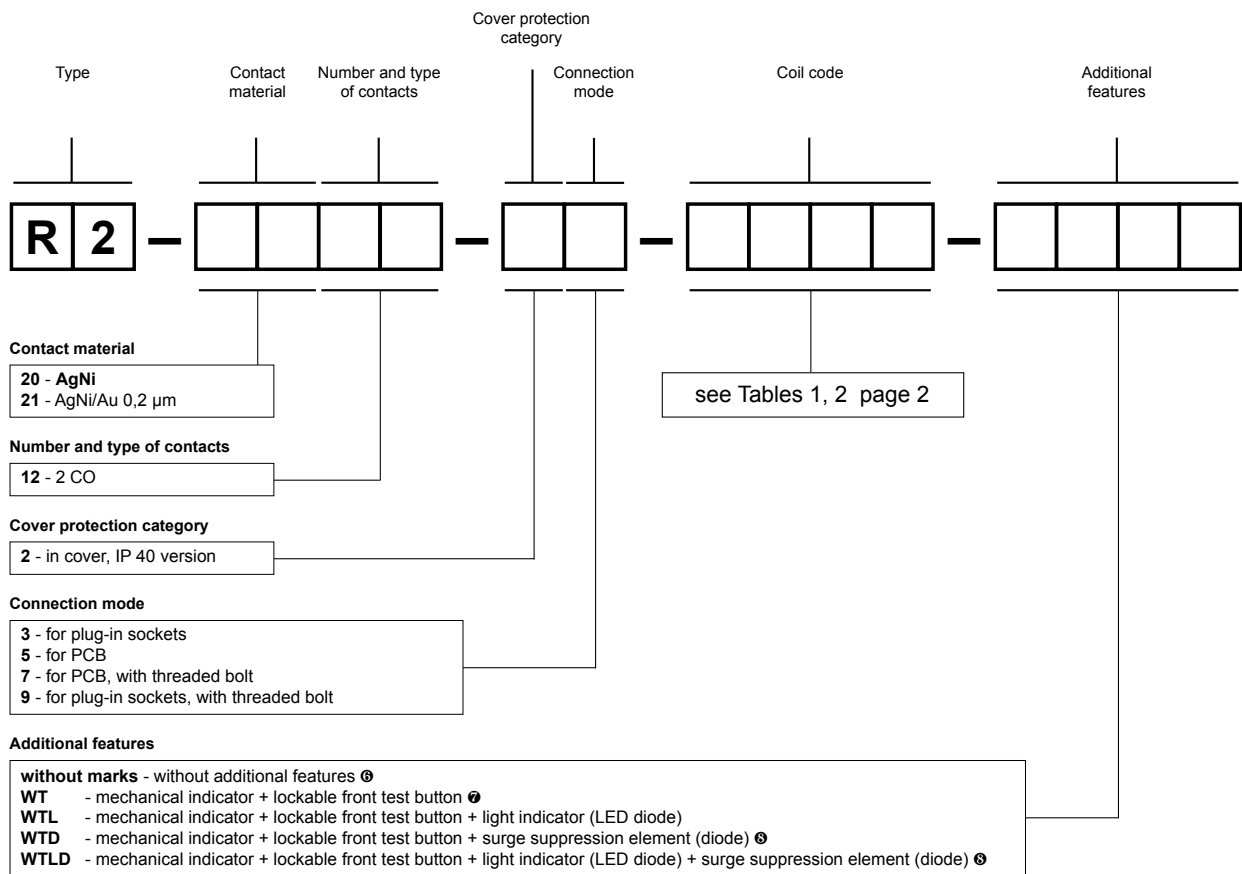
Ⓜ Plug-in sockets **GZT2**, **GZM2** may be linked with interconnection strip type **ZGGZ4** (see page 12).

Ⓝ For sockets **GZMB2** - see page 8 (wire connection).

## Contact material selection for different load types

- **AgNi** - for resistive or inductive loads,
- **AgNi/Au 0,2 µm** - Au protects the contact surface during storage.

## Ordering codes



- ⑥ Refer relays for PCB and with threaded bolt
- ⑦ WT - standard features of relays for plug-in sockets
- ⑧ WTD, WTLD - available only in relays with DC coils

**Test buttons (no latching) and plugs** need to be ordered separately. They substitute buttons type T. To exchange by Customer themselves. Information on test buttons (no latching) and plugs - page 7.

- Button R4P-0001-A - orange colour (AC coils)
- Button R4P-0001-D - green colour (DC coils)
- Plug R4W-0003-A - orange colour (AC coils)
- Plug R4W-0003-D - green colour (DC coils)



### Note:


For relays with additional features **D** - surge suppression element (diode) (versions WTD and WTLD) - fixed supply polarity compulsory for the DC load of coils: +A1(13) / -A2(14). The polarity is indicated on the relay cover. For other versions of the relays with DC coils any polarity is possible.


Examples of ordering codes:

- R2-2012-23-1024-WT** relay **R2**, for plug-in sockets, two changeover contacts, contact material AgNi, coil voltage 24 V DC, with mechanical indicator and lockable front test button, in cover IP 40
- R2-2012-25-5024** relay **R2**, for PCB, two changeover contacts, contact material AgNi, coil voltage 24 V AC 50/60 Hz, in cover IP 40

## Additional features for industrial relays

Industrial relays for plug-in sockets: R2, R2N, R3, R3N, R4, R4N, R15 - 2 CO , R15 - 3 CO  with **WT features as standard** (**W** - mechanical indicator + **T** - lockable front test button). **Detailed information** on additional features of individual relays can be found in the data sheets on the side of "Ordering codes".

Type 	Description	For industrial relays
<b>W</b>	mechanical indicator	R2, R2N, R3, R3N, R4, R4N, R15 - 2 CO, 3 CO
<b>T</b>	lockable front test button, orange colour - AC coils, green colour - DC coils	R2, R2N, R3, R3N, R4, R4N, R15 - 2 CO, 3 CO
<b>L</b>	light indicator (LED diode), located inside the relay	R2, R2N, R3, R3N, R4, R4N, RY2, R15 - 2 CO, 3 CO, 4 CO RUC, RUC-M
<b>D</b>	surge suppression element (diode) - only for DC coils	R2, R2N, R3, R3N, R4, R4N, RY2, R15 - 2 CO, 3 CO, 4 CO
<b>V</b>	surge suppression element (varistor) - only for AC coils	R15 - 2 CO, 3 CO
<b>K</b>	test button without block function	R15 - 4 CO, RUC

 Available combinations:

**WT, WTL, WTD, WTL D** - in relays R2, R2N, R3, R3N, R4, R4N for plug-in sockets

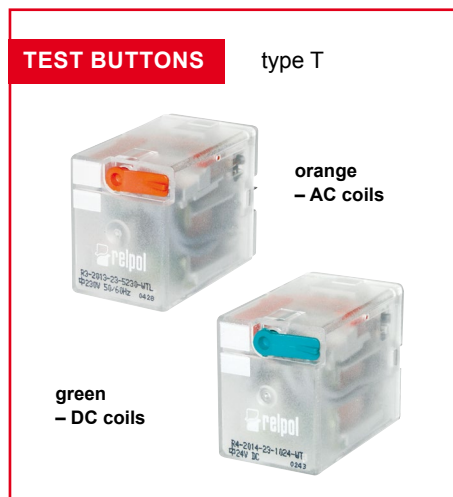
**L, D, LD** - in relays RY2 for plug-in sockets

**WT, WTL, WTD, WTL D, WTV, WTL V** - in relays R15 - 2 CO, 3 CO for plug-in sockets

**K, L, D, KL, KD, LD, KLD** - in relays R15 - 4 CO for plug-in sockets

**K, L, KL** - in relays RUC

**L** - in relays RUC-M



## Test buttons (no latching) and plugs

**Test buttons (no latching)** are recommended for R2...WT, R2N...WT, R3...WT, R3N...WT, R4...WT, R4N...WT, R15...WT 2 CO, R15...WT 3 CO relays - **for applications that do not allow permanent contact latching**. By manual operation (pressing the button) relay contacts can get switched for as long time as long the button is pressed. Contacts return to initial position as soon as pressure is released from the button. Those operations can be done while the coil is deenergized.

Button **R4P-0001** or **R15-M404** can be easily inserted by the Customer after removal of button type **T** (see Fig. 2). Button type **T** can be removed with screwdriver as shown on Fig. 1.

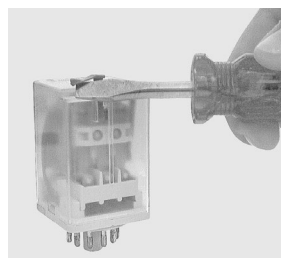


Fig. 1

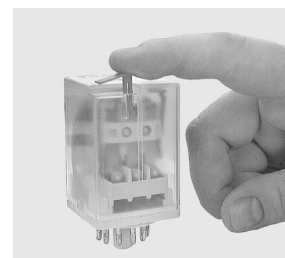
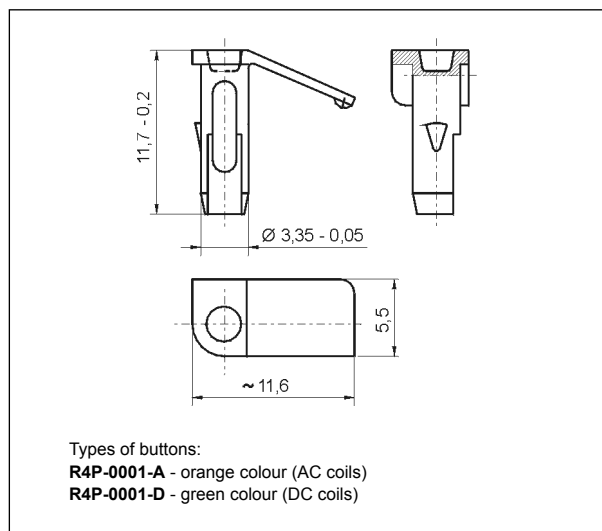
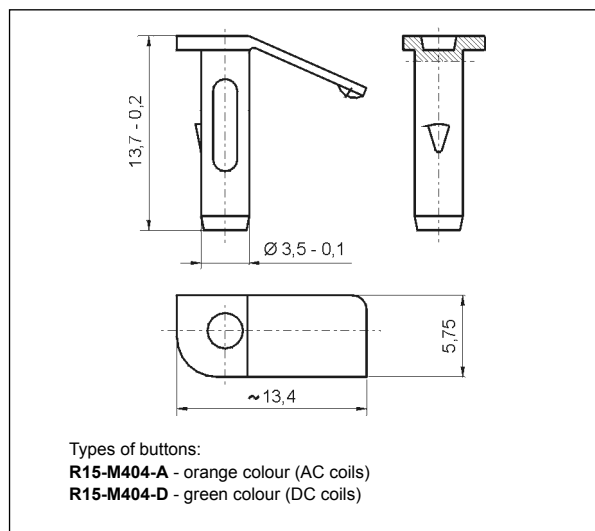


Fig. 2

### Dimensions - test button R4P-0001 for R2...WT, R2N...WT, R3...WT, R3N...WT, R4...WT, R4N...WT

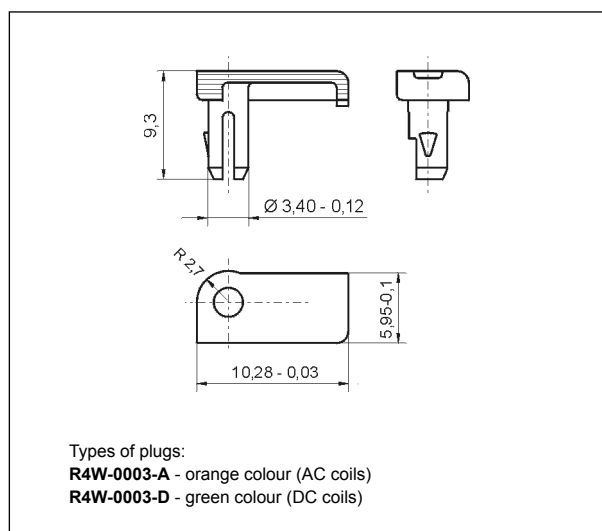


### Dimensions - test button R15-M404 for R15...WT 2 CO, R15...WT 3 CO

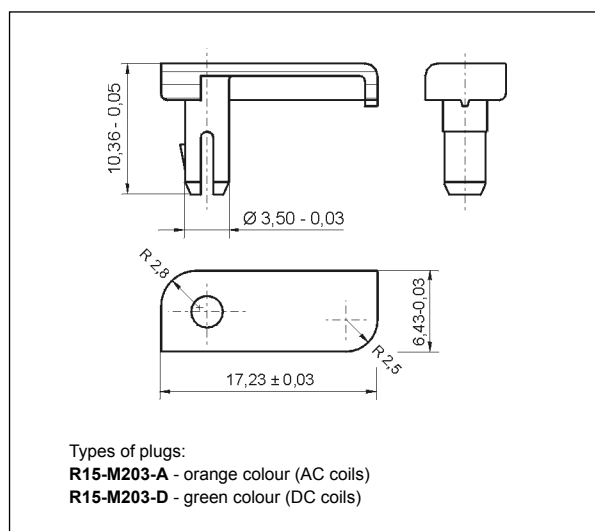


**Plugs R4W-0003** or **R15-M203** can substitute button type **T** if **manual operation (latching and testing) is not allowed**. Changing button type **T** for plug can be done by Customer themselves in the same way as changing button type **T** for button (no latching).

### Dimensions - plug R4W-0003 for R2...WT, R2N...WT, R3...WT, R3N...WT, R4...WT, R4N...WT




### Dimensions - plug R15-M203 for R15...WT 2 CO, R15...WT 3 CO

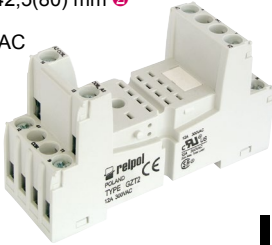


# Plug-in sockets and accessories

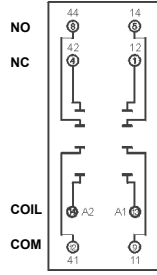
## GZT2

For R2, R2N

Screw terminals  
Max. tightening moment for the terminal: 0,7 Nm  
35 mm rail mount  
acc. to PN-EN 60715  
or on panel mounting  
76,3 x 27 x 42,5(80) mm   
Two poles  
12 A, 300 V AC



### Connection diagram



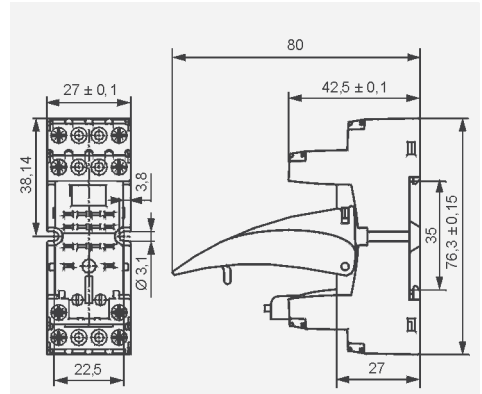
GZT4-0040

G4 1052



Module type M...


### Dimensions

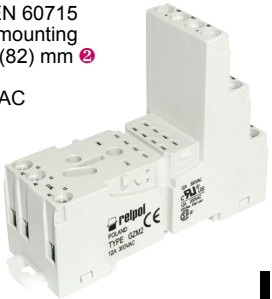


### Accessories

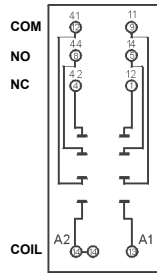
## GZM2

For R2, R2N

Screw terminals  
Max. tightening moment for the terminal: 0,7 Nm  
35 mm rail mount  
acc. to PN-EN 60715  
or on panel mounting  
75 x 27 x 61(82) mm   
Two poles  
12 A, 300 V AC



### Connection diagram



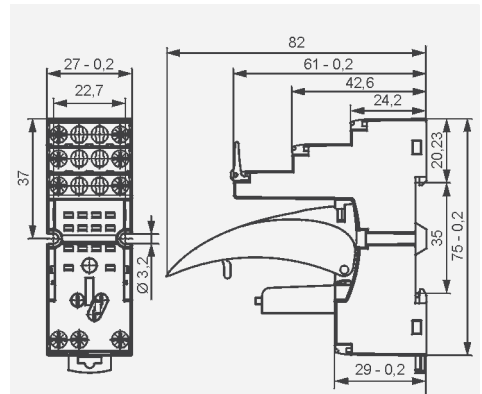
GZT4-0040

G4 1052



Module type M...

### Dimensions




### Accessories

## GZMB2

For R2, R2N

Spring terminals  
Max. cross section of the cables:  
1 x 0,2...1,5 mm<sup>2</sup>  
(1 x 24...16 AWG)  
Length of the cable deinsulation:  
9...11 mm

35 mm rail mount  
acc. to PN-EN 60715  
95 x 31 x 42,5(80) mm   
Two poles  
10 A, 300 V AC



GZMB4-0040



TR

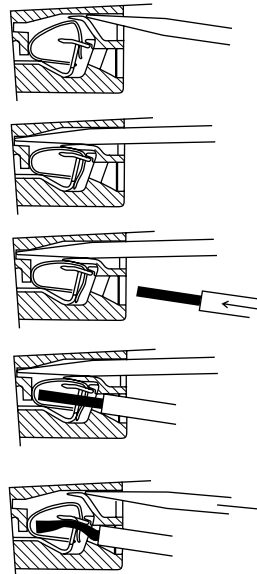
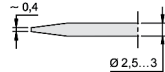
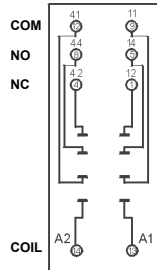


Module type M...

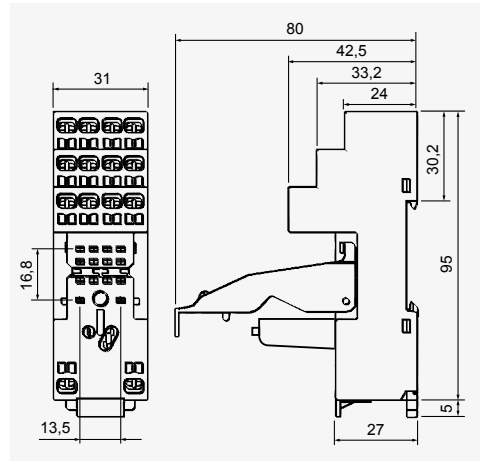


G4 1052

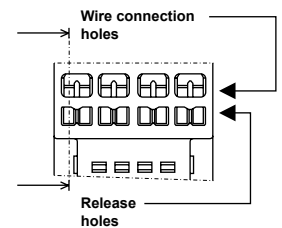
### Connection diagram



### Dimensions





The drawings present the sequence of operations in course of inserting wires to the spring terminal, and the recommended screwdriver to be used for opening of case springs, comply with the DIN 5264 FORM „A“.



### Accessories

### Wire connection

-  Mounting and sub-assemblies of accessories in the socket - see page 9. Signalling / protecting modules type M... - see page 11.
-  In the bracket the height of socket with retainer / retractor clip is shown.

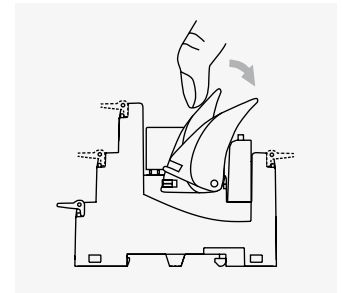


## Mounting and sub-assemblies of the relay and accessories in the socket

Signalling / protecting module  
type M...

Electromagnetic  
relay

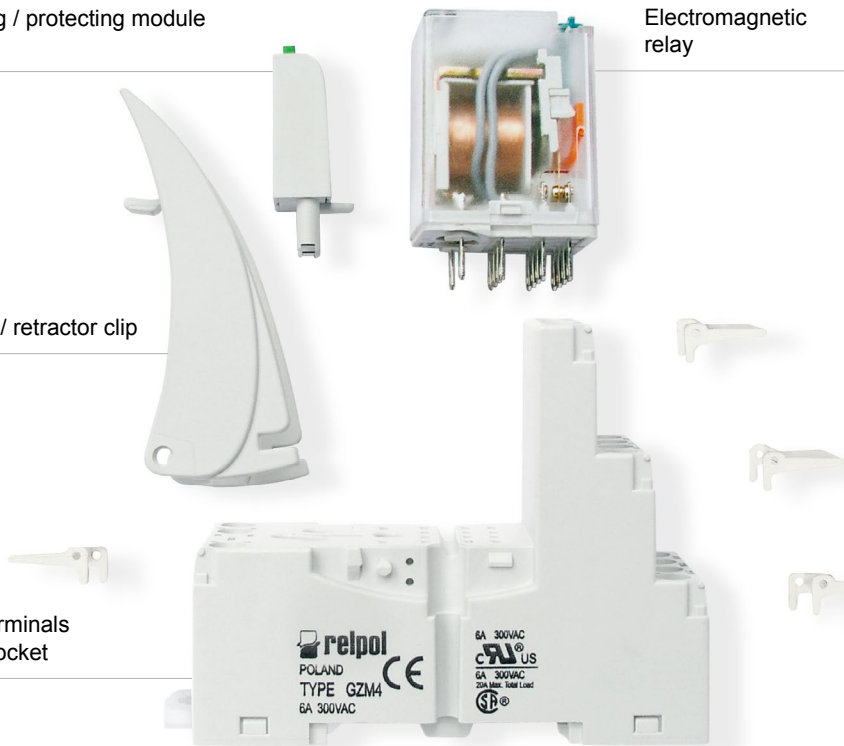
Retainer / retractor clip



Removing the relay from the socket  
with a retractor / retractor clip

Screw terminals  
plug-in socket

Description plate



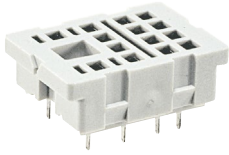
### PRECAUTIONS:

1. Ensure that the parameters of the product described in its specification provide a safety margin for the appropriate operation of the device or system and never use the product in circumstances which exceed the parameters of the product. 2. Never touch any live parts of the device. 3. Ensure that the product has been connected correctly. An incorrect connection may cause malfunction, excessive heating or risk of fire. 4. In case of any risk of any serious material loss or death or injuries of humans or animals, the devices or systems shall be designed so to equip them with double safety system to guarantee their reliable operation.

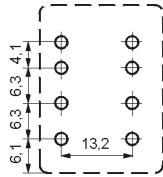
# Plug-in sockets and accessories

## SU4/2D

For R2, R2N  
For PCB  
29,6 x 21,5 x 11 mm  
Two poles  
12 A, 250 V AC



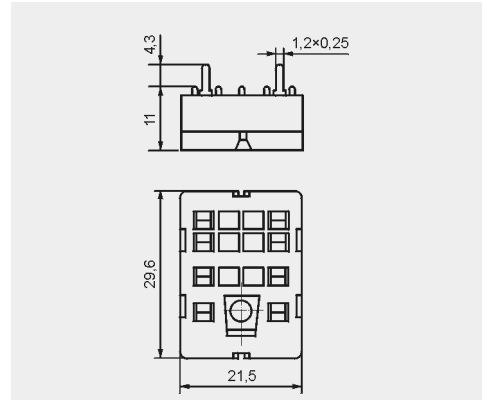
### Pinout



### Accessories ④

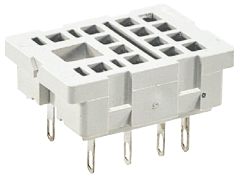
G4 1053 G4 1050

### Dimensions

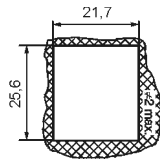


## SU4/2L

For R2, R2N  
Solder terminals  
29,6 x 21,5 x 18,1 mm  
Two poles  
12 A, 250 V AC



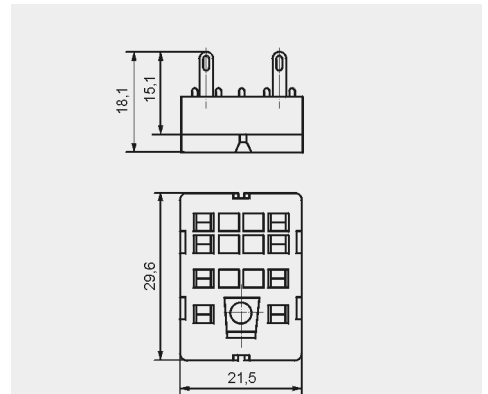
### Dimensions of opening on panel mounting



### Accessories ④

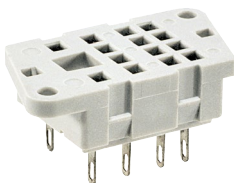
G4 1053 G4 1050 G4 1040

### Dimensions

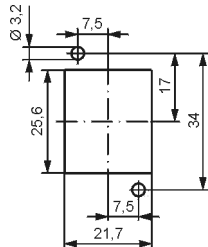


## G4/2

For R2, R2N  
Solder terminals  
40,5 x 21,5 x 18,1 mm  
Two poles  
12 A, 250 V AC



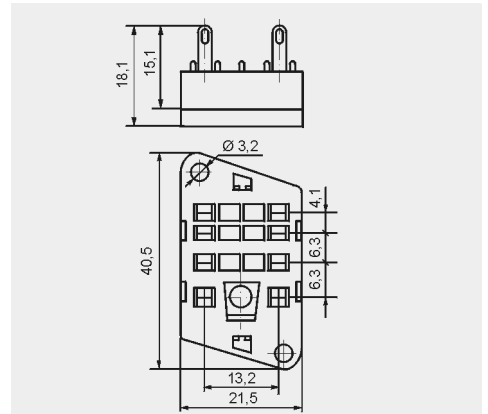
### Pinout of openings on panel mounting



### Accessories ④

G4 1053 G4 1050

### Dimensions



④ G4 1053 - for R2...WT, R2N...WT, R4...WT, R4N...WT relays; G4 1050 - for R2, R2N, R4, R4N without WT

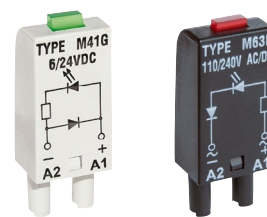
## Signalling / protecting modules type M...

### For sockets type:

GZT80, GZM80, GZS80, GZMB80, GZT92, GZM92, GZS92, ES 32, GZT2, GZM2, GZMB2, GZT3, GZM3, GZT4, GZM4, GZMB4

Modules type M... are parallelly connected with relay coil.

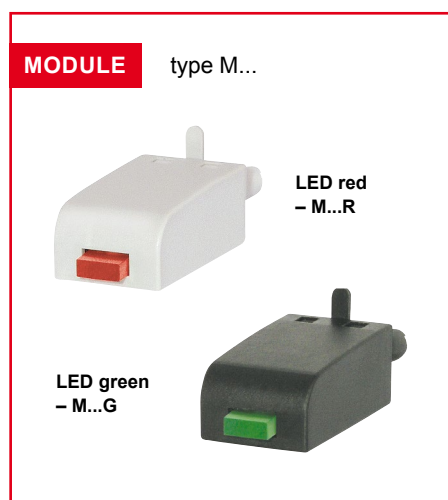
Polarity P: -A1/+A2. Polarity N: +A1/-A2.



Modules type M...	Layout	Voltage	Type of module ① ②
<b>Module D (polarization P)</b> It limits overvoltage on DC coils.		6/230 V DC	M21P
<b>Module D (polarization N)</b> It limits overvoltage on DC coils.		6/230 V DC	M21N
<b>Module LD (polarization P)</b> It limits overvoltage on DC coils. Coil energizing indication.		6/24 V DC 24/60 V DC 110/230 V DC	M31R, M31G M32R, M32G M33R, M33G
<b>Module LD (polarization N)</b> It limits overvoltage on DC coils. Coil energizing indication.		6/24 V DC 24/60 V DC 110/230 V DC	M41R, M41G M42R, M42G M43R, M43G
<b>Module RC</b> It protects against EMC disturbance. It limits overvoltage.		6/24 V AC 24/60 V AC 110/240 V AC	M51 M52 M53
<b>Module L</b> Coil energizing indication.		6/24 V AC/DC 24/60 V AC/DC 110/230 V AC/DC	M61R, M61G M62R, M62G M63R, M63G
<b>Module LV</b> It limits overvoltage on AC and DC coils. Coil energizing indication.		6/24 V AC/DC 24/60 V AC/DC 110/230 V AC/DC	M91R, M91G M92R, M92G M93R, M93G
<b>Module V</b> It limits overvoltage on AC and DC coils. No indication.		24 V AC 130 V AC 230 V AC	M71 M72 M73
<b>Module R</b> It limits overvoltage on AC coils.		110/230 V AC	M103

① M...R - LED red, M...G - LED green

② When ordering modules indicate their color: gray or black.



## Interconnection strips ZGGZ4



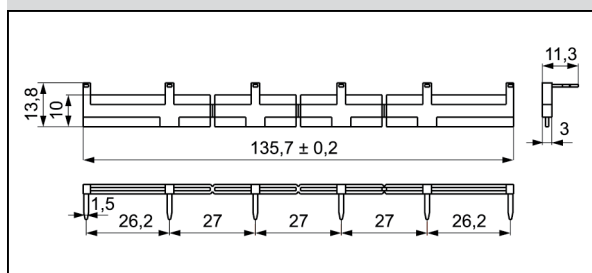
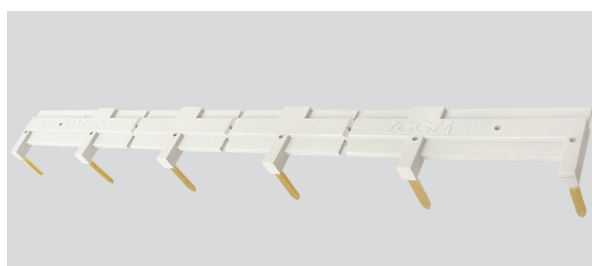
### ZGGZ4 for:

Plug-in sockets	Relays for plug-in sockets	Interface relays <sup>Ⓢ</sup>
GZT2	R2...WT, R2N...WT	PIR2-...-00L. (GZM2 + R2...WT)
GZM2		PIR3-...-00L. (GZM3 + R3...WT)
GZT3	R3...WT, R3N...WT	PIR4-...-00L. (GZM4 + R4...WT)
GZM3		
GZT4	R4...WT, R4N...WT	
GZM4		

<sup>Ⓢ</sup> Interface relay **PIR2** (**PIR3**, **PIR4**) is offered as a **set**: plug-in socket **GZM2** (**GZM3**, **GZM4**) + miniature industrial relay **R2** (**R3**, **R4**) + signalling / protecting module **type M...** + retainer / retractor clip **GZT4-0040** + description plate **GZT4-0035**.

### Interconnection strip ZGGZ4

- designed for the co-operation with plug-in sockets of miniature industrial relays and with interface relays PIR2, PIR3 and PIR4, which are equipped with screw terminals; sockets and relays are mounted on 35 mm rail mount acc. to PN-EN 60715,
- bridges common input signals (coil terminals A1 or A2) or output signals - see photo at the top,
- maximum permissible current is 10 A / 250 V AC,
- possibility of connection of 6 sockets or relays,
- colours of strips: **ZGGZ4-1** grey, **ZGGZ4-2** black.



01.08.2013